

DAMPKAP serie WPL / HPL

Ventilatoren & Filters

Wall Hoods - fans - filters



DAMPKAP



- Wall hoods WHL series - 700m deep without fan and speed controller

Prod. nr.	size LxDxH
WHL-0800x700x450-X	800 x 700 x 450
WHL-1000x700x450-X	1000 x 700 x 450
WHL-1200x700x450-X	1200 x 700 x 450
WHL-1400x700x450-X	1400 x 700 x 450
WHL-1600x700x450-X	1600 x 700 x 450
WHL-1800x700x450-X	1800 x 700 x 450
WHL-2000x700x450-X	2000 x 700 x 450
WHL-2200x700x450-X	2200 x 700 x 450
WHL-2400x700x450-X	2400 x 700 x 450
WHL-2600x700x450-X	2600 x 700 x 450
WHL-2800x700x450-X	2800 x 700 x 450
WHL-3000x700x450-X	3000 x 700 x 450

- Completely made of high-quality stainless steel
- incl. LED recessed spotlight
- incl. flame protection filter type B and grease drainage valve
- without motor and speed controller

- Wall hoods WHL series - 900m deep without fan and speed controller

Prod. nr.	size LxDxH
WHL-0800x900x450-X	800 x 900 x 450
WHL-1000x900x450-X	1000 x 900 x 450
WHL-1200x900x450-X	1200 x 900 x 450
WHL-1400x900x450-X	1400 x 900 x 450
WHL-1600x900x450-X	1600 x 900 x 450
WHL-1800x900x450-X	1800 x 900 x 450
WHL-2000x900x450-X	2000 x 900 x 450
WHL-2200x900x450-X	2200 x 900 x 450
WHL-2400x900x450-X	2400 x 900 x 450
WHL-2600x900x450-X	2600 x 900 x 450
WHL-2800x900x450-X	2800 x 900 x 450
WHL-3000x900x450-X	3000 x 900 x 450

- Subject to change without notice



- Wall hoods WHL series - 700m deep with fan and speed controller

Prod. nr.	size LxDxH
WHL-0800x700x450-V	800 x 700 x 450
WHL-1000x700x450-V	1000 x 700 x 450
WHL-1200x700x450-V	1200 x 700 x 450
WHL-1400x700x450-V	1400 x 700 x 450
WHL-1600x700x450-V	1600 x 700 x 450
WHL-1800x700x450-V	1800 x 700 x 450
WHL-2000x700x450-V	2000 x 700 x 450
WHL-2200x700x450-V	2200 x 700 x 450
WHL-2400x700x450-V	2400 x 700 x 450
WHL-2600x700x450-V	2600 x 700 x 450
WHL-2800x700x450-V	2800 x 700 x 450
WHL-3000x700x450-V	3000 x 700 x 450

- Completely made of high-quality stainless steel
- incl. LED recessed spotlight
- incl. flame protection filter type B and grease drainage valve
- with motor and external speed controller

- Wall hoods WHL series - 900m deep with fan and speed controller

Prod. nr.	size LxDxH
WHL-0800x900x450-V	800 x 900 x 450
WHL-1000x900x450-V	1000 x 900 x 450
WHL-1200x900x450-V	1200 x 900 x 450
WHL-1400x900x450-V	1400 x 900 x 450
WHL-1600x900x450-V	1600 x 900 x 450
WHL-1800x900x450-V	1800 x 900 x 450
WHL-2000x900x450-V	2000 x 900 x 450
WHL-2200x900x450-V	2200 x 900 x 450
WHL-2400x900x450-V	2400 x 900 x 450
WHL-2600x900x450-V	2600 x 900 x 450
WHL-2800x900x450-V	2800 x 900 x 450
WHL-3000x900x450-V	3000 x 900 x 450

- Subject to change without notice

DAMPKAP



- Completely made of high-quality stainless steel
- incl. LED recessed spotlight
- incl. flame protection filter type B and grease drainage valve
- **optionally with motor and external speed controller**

- **Wall hoods WHL series**
- 700mm deep without fan and speed controller

- **Wall hoods WHL series**
- 900mm deep with fan and speed controller



<i>Prod. nr.</i>	<i>size LxDxH</i>
WPL-0800x900x450-X	800 x 900 x 450
WPL-1000x900x450-X	1000 x 900 x 450
WPL-1200x900x450-X	1200 x 900 x 450
WPL-1400x900x450-X	1400 x 900 x 450
WPL-1600x900x450-X	1600 x 900 x 450
WPL-1800x900x450-X	1800 x 900 x 450
WPL-2000x900x450-X	2000 x 900 x 450
WPL-2200x900x450-X	2200 x 900 x 450
WPL-2400x900x450-X	2400 x 900 x 450
WPL-2600x900x450-X	2600 x 900 x 450
WPL-2800x900x450-X	2800 x 900 x 450
WPL-3000x900x450-X	3000 x 900 x 450

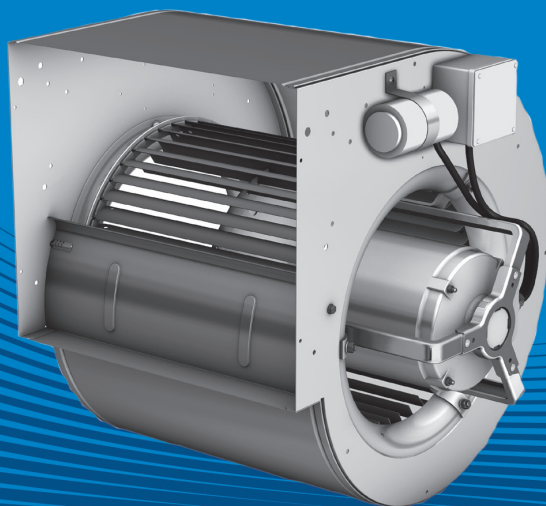
<i>Prod. nr.</i>	<i>size LxDxH</i>
WPL-0800x900x450-V	800 x 900 x 450
WPL-1000x900x450-V	1000 x 900 x 450
WPL-1200x900x450-V	1200 x 900 x 450
WPL-1400x900x450-V	1400 x 900 x 450
WPL-1600x900x450-V	1600 x 900 x 450
WPL-1800x900x450-V	1800 x 900 x 450
WPL-2000x900x450-V	2000 x 900 x 450
WPL-2200x900x450-V	2200 x 900 x 450
WPL-2400x900x450-V	2400 x 900 x 450
WPL-2600x900x450-V	2600 x 900 x 450
WPL-2800x900x450-V	2800 x 900 x 450
WPL-3000x900x450-V	3000 x 900 x 450

- *Subject to change without notice*

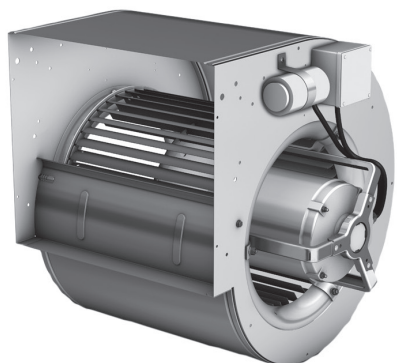
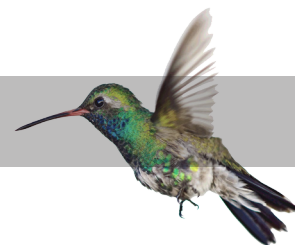
Typ DM

Low pressure centrifugal fans with motor

Range of double inlet direct driven low pressure centrifugal fans manufactured from galvanised sheet steel. All the models are fitted with forward curved centrifugal impellers manufactured from galvanized sheet steel.



VENTILATOR



- Dual inlet radial fan
- Maintenance-free ball bearing, long-term lubrication
- Housing and impeller made of galvanised sheet steel
- Squirrel rotor motor with thermal/motor protection
- Speed regulation with Walpol speed controller (see accessories)
- Reliable operation and maintenance-free

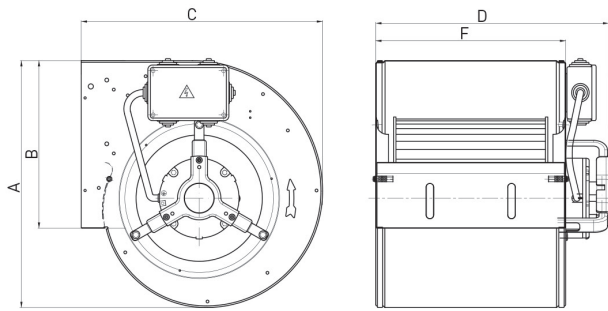
Radialventilator TYP DM

Model	DM 9/9	DM 10/8	DM 12/9
• Rated voltage	230V / 50Hz	230V / 50Hz	230V / 50Hz
• Rated motor power	550 W	550 W	736 W
• Rated current	3,9 A	4,5 A	6,7 A
• Speed	1376 rpm	1308 rpm	923 rpm
• Weight	14 kg	15 kg	24,2 kg
• Sound press.	83 db(A)	80 db(A)	83 db(A)
• max. temp.	+40°C	+40°C	+40°C
• Protection class	IP 44	IP 44	IP 44
• Air flow (up to)	3.250 m³/h	2.750 m³/h	5.200 m³/h
• Product number	V1-0909-W-0550-4P	V1-1008-W-550-4P	V1-1209-W-0736-6P-H22

Accessories

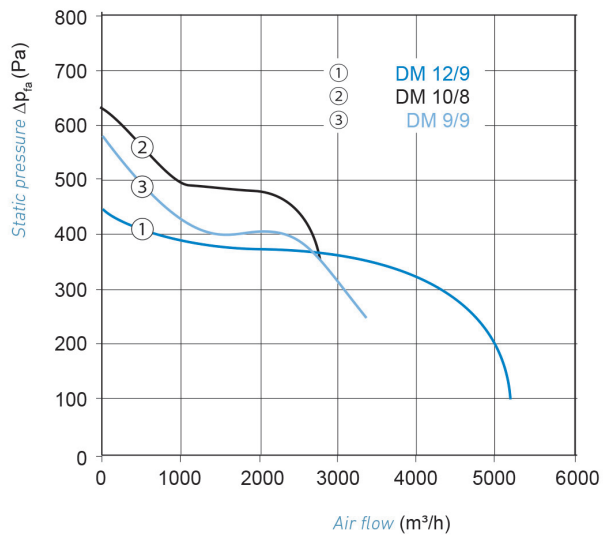
Speed controller, 5-stage	Typ 5 AW DS-W-050A-H54-00	Typ 5 AW DS-W-050A-H54-00	Typ 7 AW DS-W-070A-H54-00
• Fixing angle	ZVE-BW-0909-H22	ZVE-BW-1008-H22-00	ZVE-BW-1212-H22-00
• Discharge angle (flange)	ZVE-AW-0909-H22	ZVE-AW-1008-H22-00	ZVE-AW-1209-H22-00
• Isol. switch	ZAL-RW-5P-H13-00	ZAL-RW-5P-H13-00	ZAL-RW-5P-H13-00

VENTILATOR



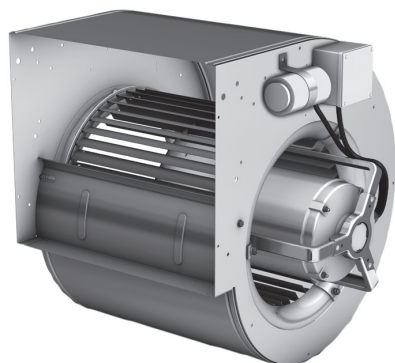
Dimensions

(in mm)	DM 9/9	DM 10/8	DM 12/9
A	389	443	521
B	260	288	341
C	381	423	490
D	339	314	351
F	300	267	311



**Fans must not be operated below the specified minimum pressure.*

VENTILATOR



- *Dual inlet radial fan*
- *Maintenance-free ball bearing, long-term lubrication*
- *Housing and impeller made of galvanised sheet steel*
- *Squirrel rotor motor with thermal/motor protection*
- *Speed regulation with Walpol speed controller (see accessories)*
- *Reliable operation and maintenance-free*

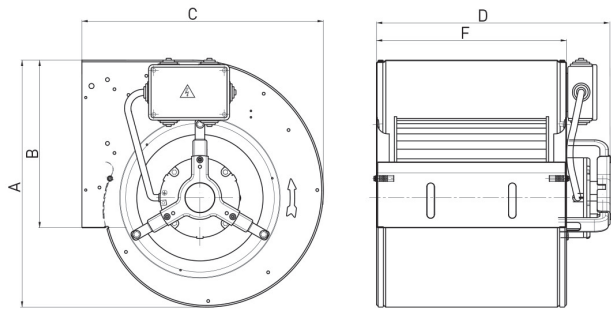
Radialventilator TYP DM

Model	DM 12/12	DM 12/12 D	DM 15/15 D
• <i>Rated voltage</i>	230V / 50Hz	400V / 50Hz	400V / 50Hz
• <i>Rated motor power</i>	736 W	1100 W	2200 W
• <i>Rated current</i>	6,0 A	4,2 A	5,1 A
• <i>Speed</i>	926 rpm	940 rpm	860 rpm
• <i>Weight</i>	26,5 kg	28,6 kg	43,2 kg
• <i>Sound press.</i>	81 db(A)	88 db(A)	87 db(A)
• <i>max. temp.</i>	+40°C	+40°C	+40°C
• <i>Protection class</i>	IP 44	IP 44	IP 55
• <i>Air flow (up to)</i>	4.950 m³/h	7.500 m³/h	9.100 m³/h (350Pa)
• <i>Product number</i>	V1-1212-W-0736-6P-H22	V1-1212-D-1100-6P-H22-00	V1-1515-D-2200-6P-H22

Accessories

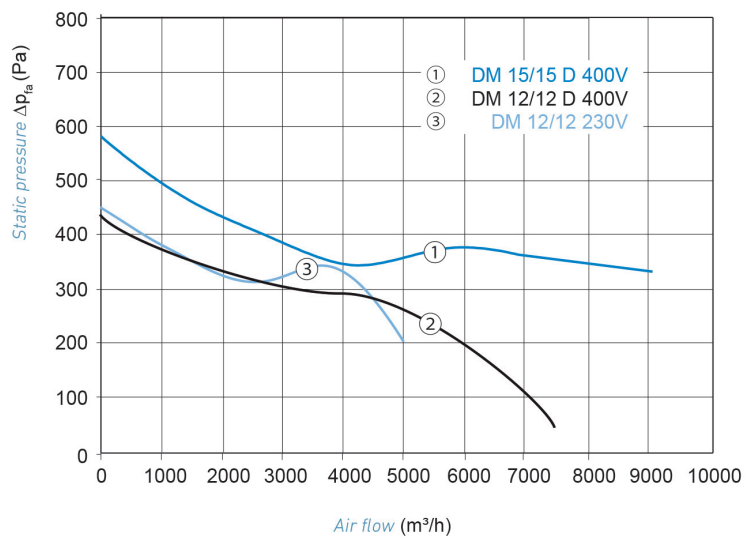
• <i>Speed controller, 5-stage</i>	Typ 7 AW DS-W-070A-H54-00	Typ 5 AD DS-D-050A-H54-00	Typ 8 AD DS-D-080A-H54-00
• <i>Fixing angle</i>	ZVE-BW-1212-H22-00	ZVE-BW-1212-H22-00	Inkl. Gehäuserahmen • <i>Incl. housing frame</i>
• <i>Discharge angle (flange)</i>	ZVE-AW-1212-H03-00	ZVE-AW-1212-H03-00	ZVE-AW-1515-H22-00
• <i>Isol. switch</i>	ZAL-RW-5P-H13-00	ZAL-RW-5P-H13-00	ZAL-RW-5P-H13-00

VENTILATOR



Dimensions

(in mm)	DM 12/12	DM 12/12 D	DM 15/15 D
A	521	521	625
B	341	341	410
C	490	490	579
D	439	421	567
F	396	396	533



**Fans must not be operated below the specified minimum pressure.*



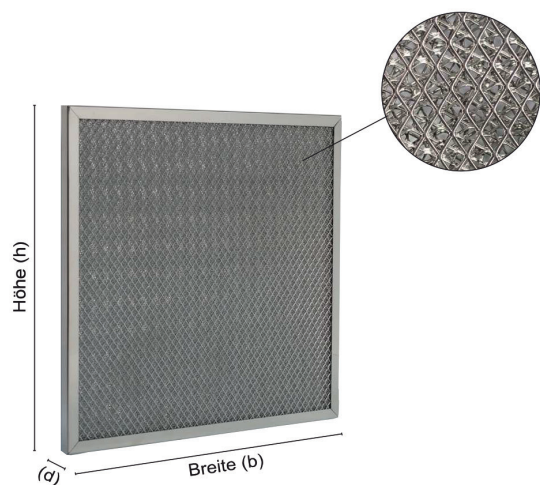
- Thickness 20 or 25 mm
- Ideal for food serving areas/rinsing area
- According DIN EN 16282-6 F-2
- Double current filter
- Easy installation and movement shell holders
- Loose shell holders included
- Self-cleaning effect and degree of separation
- Material stainless steel AISI 430

Aerosol Separator / Baffle Filter

Series EKO

Standard Sizes	Type
b*h*d (mm)	Eko
250*500*20	EKO1
398*398*20	EKO2
400*400*25	EKO3
400*500*25	EKO4
400x400*20	EKO5
450*480*25	EKO6
480*450*20	EKO7
495*495*20	EKO8
495*495*25	EKO9
500*250*20	EKO10
500*300*20	EKO11
500*400*20	EKO12
500*500*20	EKO13
500*500*25	EKO14

FILTER



- The filter material consists of high-quality **expanded metal**
- **ideal against dust, sand, flour, paint, oil, welding fumes, flying sparks, etc.**
- easy to clean, e.g. with a dishwasher
- high degrees of separation
- high temperature resistance

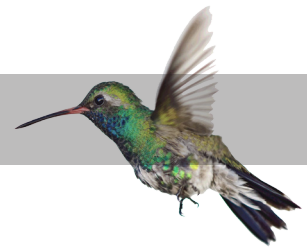
Serie F-15

Filter made of stainless steel/CNS 1.4301/AISI 304

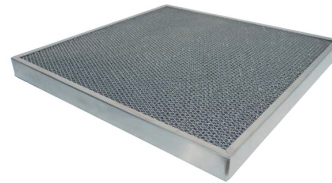
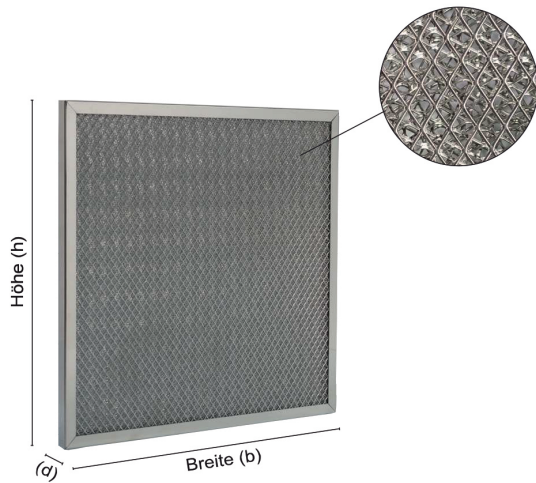
Standard sizes	Type	Product number
b x h x d (mm)		
250 x 500 x 20	F-15/1+12	F15-250x500x20
300 x 500 x 20	F-15/2+13	F15-300x500x20
400 x 400 x 20	F-15/6	F15-400x400x20
400 x 450 x 20	F-15/7+9	F15-400x450x20
494 x 494 x 20	F-15/11	F15-494x494x20
500 x 400 x 20	F-15/15+21	F15-500x400x20
500 x 500 x 20	F-15/16	F15-500x500x20
592 x 592 x 20	F-15/17	F15-592x592x20
600 x 600 x 20	F-15/18	F15-600x600x20
592 x 287 x 20	F-15/20	F15-592x287x20
592 x 287 x 48	F-15/30	F15-592x287x48
592 x 592 x 48	F-15/31	F15-592x592x48

Sondergrößen • special sizes	Type	Product number
350 x 500 x 20	F-15/3+14	F15-350x500x20
398 x 198 x 20	F-15/4	F15-398x198x20
398 x 398 x 20	F-15/5	F15-398x398x20
450 x 350 x 20	F-15/8	F15-450x350x20
492 x 246 x 20	F-15/10	F15-492x246x20
610 x 610 x 20	F-15/19	F15-610x610x20

- **In commercial kitchens, expanded metal filters are only permitted as combination separators!**



FILTER F-15



Serie F-15

Filter made of stainless steel/CNS 1.4301/AISI 304

special sizes

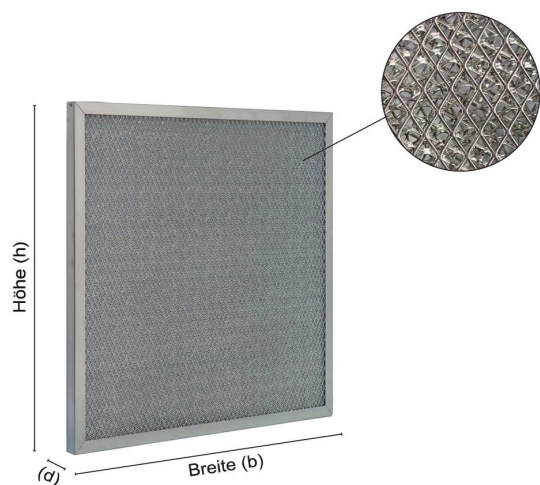
separator thickness 10-20mm

height in mm:	width in mm:
- 100-300	- 100-300
- 301-500	- 301-500
- 501-700	- 501-700
- 701-900	- 701-900

Product number = F15-**width** x **height** x **thickness**

The density of the filter and thus the filtration properties and permeability can be changed by the number of expanded metal layers inserted

FILTER



- The filter material consists of high-quality expanded metal
- **ideal against dust, sand, flour, paint, oil, welding fumes, flying sparks, etc.**
- easy to clean, e.g. with a dishwasher
- high degrees of separation
- high temperature resistance

Serie F-16

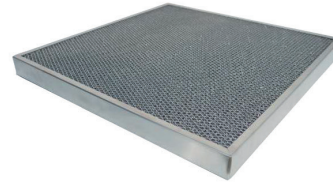
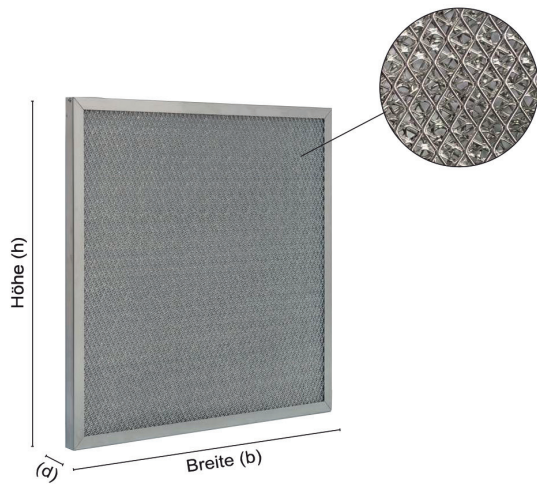
Filter made of aluminium

Standard sizes	Type	Product number
b x h x d (mm)		
250 x 500 x 20	F-16/1+12	F16-250x500x20
300 x 500 x 20	F-16/2+13	F16-300x500x20
400 x 400 x 20	F-16/6	F16-400x400x20
400 x 450 x 20	F-16/7+9	F16-400x450x20
494 x 494 x 20	F-16/11	F16-494x494x20
500 x 400 x 20	F-16/15+21	F16-500x400x20
500 x 500 x 20	F-16/16	F16-500x500x20
592 x 592 x 20	F-16/17	F16-592x592x20
600 x 600 x 20	F-16/18	F16-600x600x20
592 x 287 x 20	F-16/20	F16-592x287x20
592 x 287 x 48	F-16/30	F16-592x287x48
592 x 592 x 48	F-16/31	F16-592x592x48

• special sizes		
350 x 500 x 20	F-16/3+14	F16-350x500x20
398 x 198 x 20	F-16/4	F16-398x198x20
398 x 398 x 20	F-16/5	F16-398x398x20
450 x 350 x 20	F-16/8	F16-450x350x20
492 x 246 x 20	F-16/10	F16-492x246x20
610 x 610 x 20	F-16/19	F16-610x610x20



FILTER F-16



Serie F-16

Filter made of aluminium

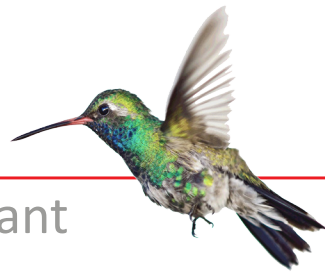
The density of the filter and thus the filtration properties and permeability can be changed by the number of expanded metal layers inserted

special sizes

separator thickness 10-20mm

height in mm:	width in mm:
- 100-300	- 100-300
- 301-500	- 301-500
- 501-700	- 501-700
- 701-900	- 701-900

Product number = F15-**width** x **height** x **thickness**



Ventilation is our business

Clima Construct, al meer dan 30 jaar uw adres voor ventilatiesystemen en luchtkanalen!

Eigen atelier

Alle rechthoekige luchtkanalen en technische componenten worden voor u in het eigen atelier op maat gemaakt. Zowel in galva, inox als PIR.

Groothandel

Als verdeler van ventilatiemateriaal hebben wij een uitgebreid assortiment van ronde luchtkokers, ventilatoren, roosters, kleppen, textielkanalen, luchtgroepen, ... Clima Construct is verdeler van meerdere kwalitatief sterke merken zoals Helios, F2A, Elektrovent,

Magazijn

U bent steeds welkom in het afhaalmagazijn! De meeste stockartikelen -zoals ronde luchtkokers en toebehoren- kan u meteen bij Clima Construct afhalen.

Openingsuren

Afhalen: maandag-donderdag: 7u-12u en 12.30u-15.30u
vrijdag: 7u-12u

Kantoor: maandag-donderdag: 8u-12u en 12.30u-17u
vrijdag: 8u-12u en 12.30u-14.30u

Webwinkel

www.climaconstruct.be

