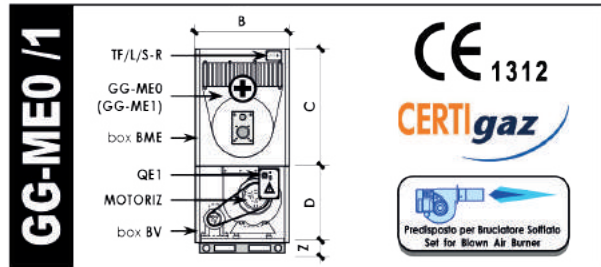
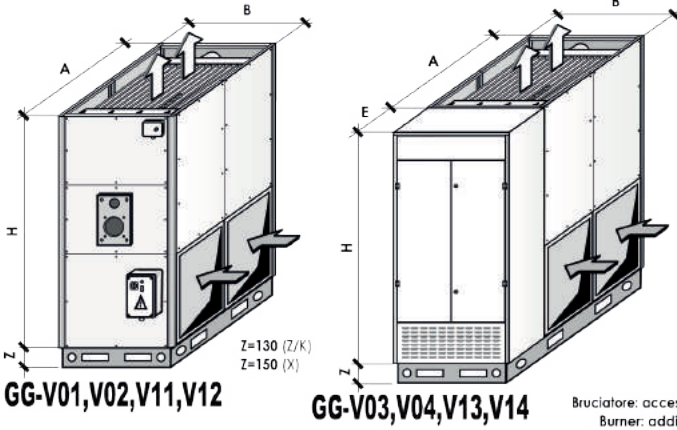




Warmeluchtgenerator

VERTICAL PRECONFIG. Unità preconfigurate (unità complete predefinite)
Preconfigured units (predefined complete units)

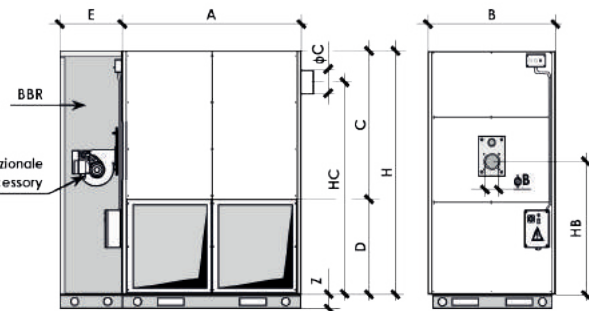
Generatore aria calda = Centrale Trattamento Aria autonoma con Modulo energetico
Air heater unit = Independent Air Handling Unit provided with Energy Module



ECODESIGN



STANDARD ERP COMPLIANT
Standard & Condensation a funzionamento termico modulante
Standard & Condensation with modulating thermal operation



Taglia - Size	GG (ME0/1)	GG 12	GG 15	GG 20	GG 25	GG 29	GG 30	GG 40	GG 60	GG 80	GG110	GG130	GG160	GG200		
Pot. termica - Thermal input (Bruciata-Burnt) Pn	Nom=Max kW	14	18	23	28	33	34	46	69	93	127	151	186	232		
Pot. termica utile - Heating capacity output	Max kW	12,7	16,6	21,1	26,0	30,5	31,4	42,4	63,1	84,6	115,7	137,1	169,1	211,1		
Pot. termica - Thermal input (Bruciata-Burnt)	Min kW	5,6	7,2	9,2	11,2	13,2	13,6	18,4	27,6	37,2	50,8	60,4	74,4	92,8		
Pot. termica utile - Heating capacity output	Min kW	5,7	7,4	9,5	11,6	13,6	14,0	19,0	28,3	38,1	52,0	61,6	76,0	94,7		
Rendimento termico	Max % (η _{max} @40%Pn)	102,0	103,2	103,0	103,3	103,2	103,2	103,1	102,6	102,3	102,3	102,0	102,1	102,1		
Thermal efficiency (Hi)	Min % (Nomin. η _{min} @100%Pn)	90,8	92,4	91,7	92,7	92,4	92,4	92,2	91,4	91,0	91,1	90,8	90,9	91,0		
Portata aria - Air flow	m ³ /h	800	1.400	1.600	2.300	2.500	2.600	3.400	4.400	5.500	7.600	8.600	10.800	13.600		
Pressione statica utile - Static pressure	Pa	60	130	110	180	140	170	140	140	150	285	180	205	240		
Livello sonoro - Sound level	dB(A)	44	51	51	56	56	54	53	58	57	65	63	66	68		
ΔT aria uscita-ingresso - Air supply-intake ΔT @100%Pn	°C	48	36	40	34	37	37	38	43	47	46	48	47	47		
Motore elettrico - Electrical motor	kW(out)	1x 0,115	1x 0,145	1x 0,145	1x 0,37	1x 0,37	1x 0,37	1x 0,55	1x 0,735	1x 0,735	1x 1,5	1x 1,5	1x 2,2	1x 3,0		
Alimentazione elettrica - Power supply		230Vac-1Ph-50/60Hz						400Vac-3Ph+N-50/60Hz								
Dimensioni (Fornitura standard: GG12-V...400-V in unico pezzo; GG450-V...1200-V in 2 sezioni separate) - Dimensions (Standard supplied: GG12-V...400-V in one piece; GG450-V...1200-V in 2 separate sections)																
Dimensioni	A mm	450	450	650	650	650	750	750	900	900	1.000	1.000	1.400	1.400		
Dimensions	B mm	450	450	500	500	500	500	500	650	650	850	850	1.000	1.000		
	H mm	1.300	1.300	1.400	1.400	1.400	1.600	1.600	1.800	1.800	2.100	2.100	2.300	2.300		
	kg	85	90	92	96	100	115	130	170	190	260	300	420	470		
Peso netto - Net weight																
Sezioni-Sections ME/MOTORIZ	C - D mm-mm	C=900 - D=400	C=940 - D=460			C=1.100 - D=500		C=1.200 - D=600		C=1.450 - D=650		C=1.550 - D=750				
Box bruciatore - Burner box	E mm	400	400			400		450		500		700				
Flangia Bruciatore - Burner Flange	HB x φB mmxmm	H8.390 x φ8.100	HB.675 x φ8.100			HB.760 x φ8.110		HB.930 x φ8.110/140		HB.1095 x φ8.140		HB.1155 x φ8.160				
Scarico fumi - Smoke exhaust	HC x φC mmxmm	HC.970 x φC.120	HC.1055 x φC.120			HC.1235 x φC.120		HC.1440 x φC.160		HC.1730 x φC.180		HC.1905 x φC.200				
Scelta del bruciatore - Burner selection																
Lunghezza boccaglio - Nozzle length	MIN-MAX mm	min.85 - max.130		min.85 - max.130			min.100 - max.210		min.100 - max.210		min.100 - max.220		min.100 - max.280			
Diametro boccaglio - Nozzle diameter	MAX mm	90		90			100		100		130		150			
Contropress. camera comb. - Counter pressure comb. chamber	Pa	16		16			20		20		30		35			
Sezioni e componenti - Sections and components																
BME-K(1)	Box Modulo Energ. (doppio pan., preverniciato) Box Energy module (double panel, pre-painted)	Mod.	BME-K00-V	BME-K0-V			BME-K1-V		BME-K2-V		BME-K3-V		BME-K4-V			
BME-KZ(2)	Box Modulo energ. (doppio pannello, zincato) Box Energy module (double panel, galvanized)	Mod.	BME-K700-V	BME-K70-V			BME-K71-V		BME-K72-V		BME-K73-V		BME-K74-V			
GG-ME0(3)	Camera + Scambiatore Full Alluminato Chamber + Exchanger Full Aluminates	Mod.	GG12-ME0	GG15-ME0	GG20-ME0	GG25-ME0	GG29-ME0	GG30-ME0	GG40-ME0	GG60-ME0	GG80-ME0	GG110-ME0	GG130-ME0	GG160-ME0	GG200-ME0	
GG-ME1(4)	Camera AISI 430 + Scambiatore Alluminato Chamber AISI 430 + Exchanger Aluminates	Mod.	GG12-ME1	GG15-ME1	GG20-ME1	GG25-ME1	GG29-ME1	GG30-ME1	GG40-ME1	GG60-ME1	GG80-ME1	GG110-ME1	GG130-ME1	GG160-ME1	GG200-ME1	
BV-P(5)	Box sezione Ventilante (solo cassa preverniciata) Box Ventilating section (pre-painted casing only)	Mod.	BV-P00-V	BV-P0-V			BV-P1-V		BV-P2-V		BV-P3-V		BV-P4-V			
BV-Z(6)	Box sezione Ventilante (solo cassa zincata) Box Ventilating section (galvanized casing only)	Mod.	BV-Z00-V	BV-Z0-V			BV-Z1-V		BV-Z2-V		BV-Z3-V		BV-Z4-V			
MOTORIZ(7)	Motorizzazione (Motore+Ventilatore) Motorization (Motor+Fan)	n° X Mod.	D146L190.43	1xD1.43	1xD1.43	1xD2.43	1xD2.43	1xD3.43	1xD5.43	1xD6.63	1xD7.63	L9-1.5n793	L9-1.5n688	L10-2.2n638	L11-3.0n668	
QE1(8)	Quadro elettrico Electric board	Mod.	1x QM-1V-10A	1x QM-1V-10A			1x QM-1V-10A		1x QM-1V-10A		1x QE1-1.5		1x QE1-1.5		1x QE1-2.2	
TF/L/S-R(9)	Kil 3 Termostati (TF+L+S-R) 3 Thermostats kit (TF+L+S-R)	Mod.	TF/L/S-R	TF/L/S-R			TF/L/S-R		TF/L/S-R		TF/L/S-R		TF/L/S-R			
BBR-P(10)	Box Bruciatore (preverniciato) Box Burner (pre-painted)	Mod.	BBR-P00-V	BBR-P0-V			BBR-P1-V		BBR-P2-V		BBR-P3-V		BBR-P4-V			
BBR-Z(11)	Box Bruciatore (zincato) Box Burner (galvanized)	Mod.	BBR-Z00-V	BBR-Z0-V			BBR-Z1-V		BBR-Z2-V		BBR-Z3-V		BBR-Z4-V			
ME1			V11	V12	V13	V14										
	Vertical preverniciato/pre-painted (1+4+5+7+8+9)	Cod.	120012001	120013001	120020001	120025001	120029001	120030001	120040001	120060001	120080001	120110001	120130001	120160001	120200001	
	Vertical zincato/galvanized (2+4+6+7+8+9)	Cod.	120012002	120013002	120020002	120025002	120029002	120030002	120040002	120060002	120080002	120110002	120130002	120160002	120200002	
	Vertical preverniciato/pre-painted + BOX (1+4+5+7+8+9+10)	Cod.	120012011	120013011	120020011	120025011	120029011	120030011	120040011	120060011	120080011	120110011	120130011	120160011	120200011	
	Vertical zincato/galvanized + BOX (2+4+6+7+8+9+11)	Cod.	120013012	120013012	120020012	120025012	120029012	120030012	120040012	120060012	120080012	120110012	120130012	120160012	120200012	

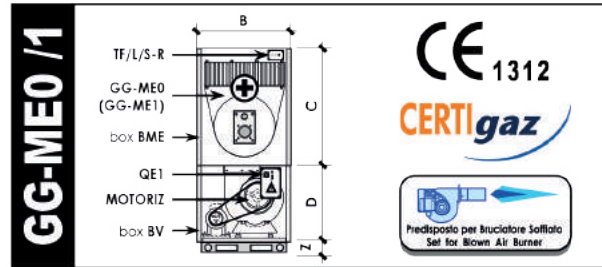
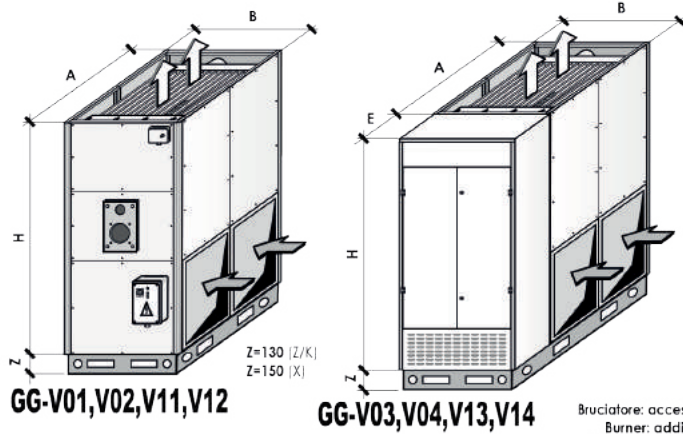
Nome Model: aggiungere alla taglia dell'unità l'estensione "Versione" (Es.: GG12-V01)
All versions with: Motorizzazione indicata, Quadro elettrico e termostati inclusi, Bocche aspirazione/mandato libere, NO bruciatore.
For referred, details and clarifications of the performances, contact the manufacturer - see paragraph "Tab. Regolamento UE 2016-2281".



Warmeluchtgenerator

VERTICAL PRECONFIG. Unità preconfigurate (unità complete predefinite)
Preconfigured units (predefined complete units)

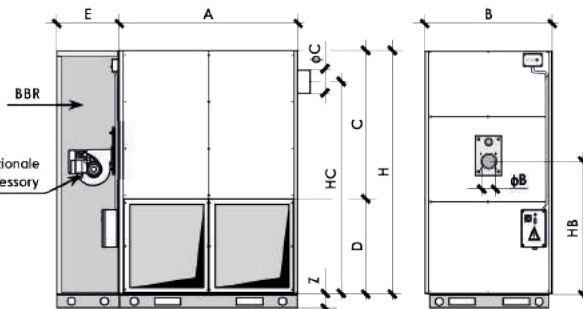
Generatore aria calda = Centrale Trattamento Aria autonoma con Modulo energetico
Air heater unit = Independent Air Handling Unit provided with Energy Module



ECODESIGN



STANDARD ERP COMPLIANT
Standard & Condensazione a funzionamento termico modulante
Standard & Condensation with modulating thermal operation



Taglia - Size	GG (ME0/1)	GG 250	GG 300	GG 350	GG 400	GG 450	GG 520	GG 580	GG 650	GG 750	GG 850	GG1000	GG1200
Pot. termica - Thermal input (Bruciata-Burnt) Pn	290	348	407	465	522	603	672	754	870	986	1160	1400	
Pot. termica utile - Heating capacity output	263,3	316,3	370,4	423,6	474,5	547,5	610,8	683,9	789,1	893,3	1.051,0	1.271,2	
Pot. termica - Thermal input (Bruciata-Burnt) Min	116,0	139,2	162,8	186,0	208,8	241,2	268,8	301,6	348,0	394,4	464,0	560,0	
Pot. termica utile - Heating capacity output Min	118,3	142,0	166,2	190,3	213,0	246,0	274,4	307,6	355,0	401,5	473,3	571,2	
Rendimento termico - Thermal efficiency (Hl) Max %	102,0	102,0	102,1	102,3	102,0	102,0	102,1	102,0	102,0	101,8	102,0	102,0	
Portata aria - Air flow	16.500	20.000	24.000	27.800	30.000	34.000	39.000	42.000	48.700	54.000	64.000	80.000	
Pressione statica utile - Static pressure	220	210	210	215	120	110	125	210	190	250	215	315	
Livello sonoro - Sound level	63	66	65	68	70	73	70	72	72	74	74	76	
ΔT aria uscita-ingresso - Air supply-intake ΔT (@100%Pn)	48	48	47	46	48	49	47	49	49	50	50	48	
Motore elettrico - Electrical motor	2x 1,5	2x 2,2	2x 2,2	2x 3,0	2x 3,0	2x 4,0	3x 3,0	3x 4,0	3x 4,0	3x 5,5	4x 5,5	4x 7,5	
Alimentazione elettrica - Power supply	400Vac-3Ph+N-50/60Hz												

Dimensioni (Fornitura standard: GG12-V...400-V in unico pezzo; GG450-V...1200-V in 2 sezioni separate) - Dimensions (Standard supplied: GG12-V...400-V in one piece; GG450-V...1200-V in 2 separate sections)	A	B	H	C	D	E	HC	HB
Dimensioni	1.900	1.150	2.400	1.750	2.100	800	2.200	1.180
Peso netto - Net weight	580	620	730	800	950	1.120	1.470	1.580
Sezioni-Sections ME/MOTORIZ	C=1.750 - D=650	C=1.700 - D=750	C=1.950 - D=800	C=2.200 - D=800	C=2.300 - D=800	C=2.400 - D=800	C=2.600 - D=800	C=2.700 - D=800
Box bruciatore - Burner box	E	800	800	900	900	1.000	1.000	1.100
Flangia Bruciatore - Burner Flange	HB x φB	HB.1155 x φB.180	HB.1235 x φB.200	HB.1350 x φB.200/220	HB.1570 x φB.220	HB.1570 x φB.220	HB.1570 x φB.220	HB.1550 x φB.240
Scarico fumi - Smokes exhaust	HC x φC	HC.2005 x φC.250	HC.2080 x φC.300	HC.2360 x φC.300	HC.2620 x φC.350	HC.2720 x φC.350	HC.2720 x φC.350	HC.2790 x φC.400

Scelta del bruciatore - Burner selection	MIN-MAX	MIN-MAX	MIN-MAX	MIN-MAX	MIN-MAX	MIN-MAX	MIN-MAX
Lunghezza boccaglio - Nozzle length	min.110 - max.340	min.120 - max.310	min.120 - max.310	min.120 - max.310	min.120 - max.380	min.140 - max.490	min.140 - max.590
Diametro boccaglio - Nozzle diameter	170	190	190	210	210	230	230
Contropress. camera comb. - Counter pressure comb. chamber	55	65	75	85	90	105	115

Sezioni e componenti - Sections and components	BME-K(1)	BME-KZ(2)	GG-ME0(3)	GG-ME1(4)	BV-P(5)	BV-Z(4)	MOTORIZ(7)	QE1(6)	TF/L/S-R(9)	BBR-P(10)	BBR-Z(11)			
BME-K(1)	Box Modulo Energ. (doppio pannello, preverniciato)	Mod.	BME-K5-V	BME-K6-V	BME-K7-V	BME-K8-V	BME-K9-V	BME-K10-V						
BME-KZ(2)	Box Modulo energ. (doppio pannello, zincato)	Mod.	BME-KZ5-V	BME-KZ6-V	BME-KZ7-V	BME-KZ8-V	BME-KZ9-V	BME-KZ10-V						
GG-ME0(3)	Camera + Scambiatore Full Alumina Chamber + Exchanger Full Aluminates	Mod.	GG250-ME0	GG300-ME0	GG350-ME0	GG400-ME0	GG450-ME0	GG520-ME0	GG580-ME0	GG650-ME0	GG750-ME0	GG850-ME0	GG1000-ME0	GG1200-ME0
GG-ME1(4)	Camera AISI 430 + Scambiatore Alumina Chamber AISI 430 + Exchanger Aluminates	Mod.	GG250-ME1	GG300-ME1	GG350-ME1	GG400-ME1	GG450-ME1	GG520-ME1	GG580-ME1	GG650-ME1	GG750-ME1	GG850-ME1	GG1000-ME1	GG1200-ME1
BV-P(5)	Box sezione Ventilante (solo cassa preverniciata)	Mod.	BV-P5-V	BV-P6-V	BV-P7-V	BV-P8-V	BV-P9-V	BV-P10-V						
BV-Z(4)	Box sezione Ventilante (solo cassa zincata)	Mod.	BV-Z5-V	BV-Z6-V	BV-Z7-V	BV-Z8-V	BV-Z9-V	BV-Z10-V						
MOTORIZ(7)	Motorizzazione (Motore+Ventilatore)	n° X Mod.	2x19-1.5n705	2x19-2.2n798	2x111-2.2n570	2x111-3.0n668	2x111-3.0n596	2x111-4.0n638	3x110-3.0n596	3x110-4.0n717	3x111-4.0n638	3x111-5.5n725	4x111-4.0n638	4x111-7.5n801
QE1(6)	Quadro elettrico	Mod.	2x QE1-1,5	2x QE1-2,2	2x QE1-2,2	2x QE1-3,0	2x QE1-3,0	2x QE1-4,0	3x QE1-3,0	3x QE1-4,0	3x QE1-4,0	3x QE1-5,5	4x QE1-4,0	4x QE1-7,5
TF/L/S-R(9)	Kit 3 termostati (TF+II+IS-R)	Mod.	TF/L/S-R	TF/L/S-R	TF/L/S-R	TF/L/S-R	TF/L/S-R	TF/L/S-R	TF/L/S-R	TF/L/S-R	TF/L/S-R	TF/L/S-R	TF/L/S-R	TF/L/S-R
BBR-P(10)	Box Bruciatore (preverniciato)	Mod.	BBR-P5-V	BBR-P6-V	BBR-P7-V	BBR-P8-V	BBR-P9-V	BBR-P10-V						
BBR-Z(11)	Box Bruciatore (zincato)	Mod.	BBR-Z5-V	BBR-Z6-V	BBR-Z7-V	BBR-Z8-V	BBR-Z9-V	BBR-Z10-V						

Nome Mod. - aggiungere alla taglia dell'unità l'estensione "Versione" (Es.: GG12-V01)	ME1	V11	V12	V13	V14								
Vertical preverniciato/pre-painted (1+4+5+7+8+9)	Cod	12025001	12030001	12035001	12040001	12045001	12050001	12058001	12065001	12075001	12085001	12100001	12120001
Vertical zincato/galvanized (2+4+6+7+8+9)	Cod	12025002	12030002	12035002	12040002	12045002	12050002	12058002	12065002	12075002	12085002	12100002	12120002
Vertical preverniciato/pre-painted + BOX (1+4+5+7+8+9+10)	Cod	12025001	12030001	12035001	12040001	12045001	12050001	12058001	12065001	12075001	12085001	12100001	12120001
Vertical zincato/galvanized + BOX (2+4+6+7+8+9+11)	Cod	12025002	12030002	12035002	12040002	12045002	12050002	12058002	12065002	12075002	12085002	12100002	12120002

Tutte le versioni con Motorizzazione indicata. Quadro elettrico e termostati inclusi. Bocche aspirazione/mandata libere. NO bruciatore. For referrred, details and clarifications of the performances, contact the manufacturer - see paragraph "Tab. Regolamento UE 2016/2281".

Model Name: add to the size of unit the "Version" extension (Ex.: GG12-V01). All versions with: Motorization indicated, Electric board and thermostats included, Intake/supply open sides. NO burner. For referrred, details and clarifications of the performances, contact the manufacturer - see paragraph "Tab. UE 2016/2281 Regulation".